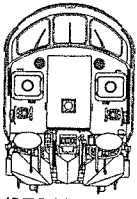
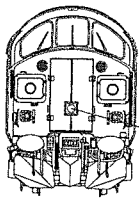


Class 37/V4 O gauge PARTS DIAGRAM



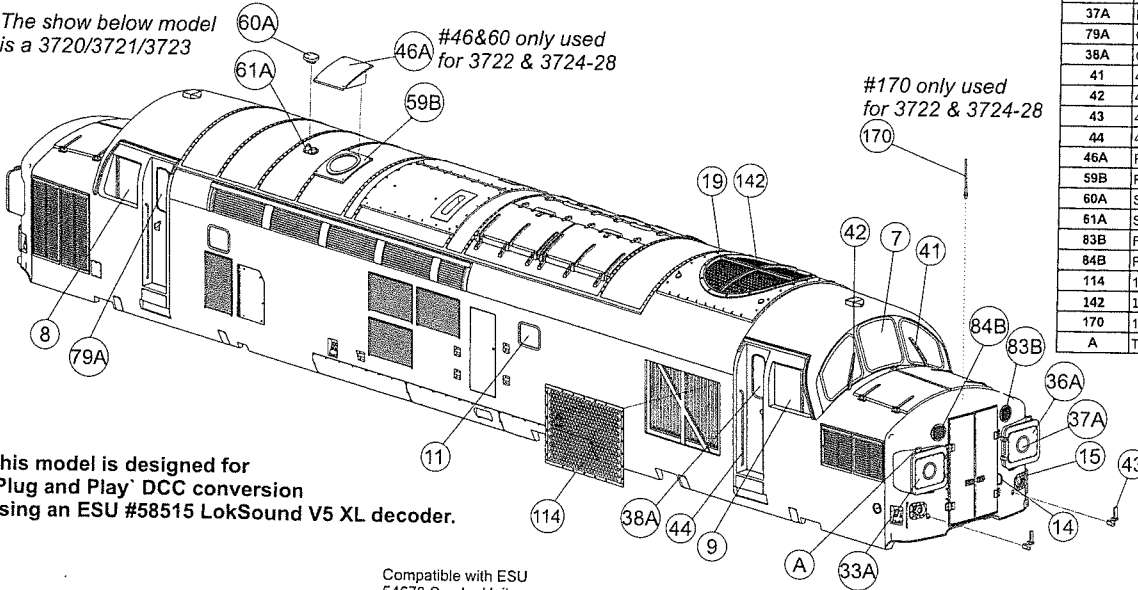
3722/3724/3727/3728



3730/3731

#22 only used
for 3722 & 3724-28

The show below model
is a 3720/3721/3723

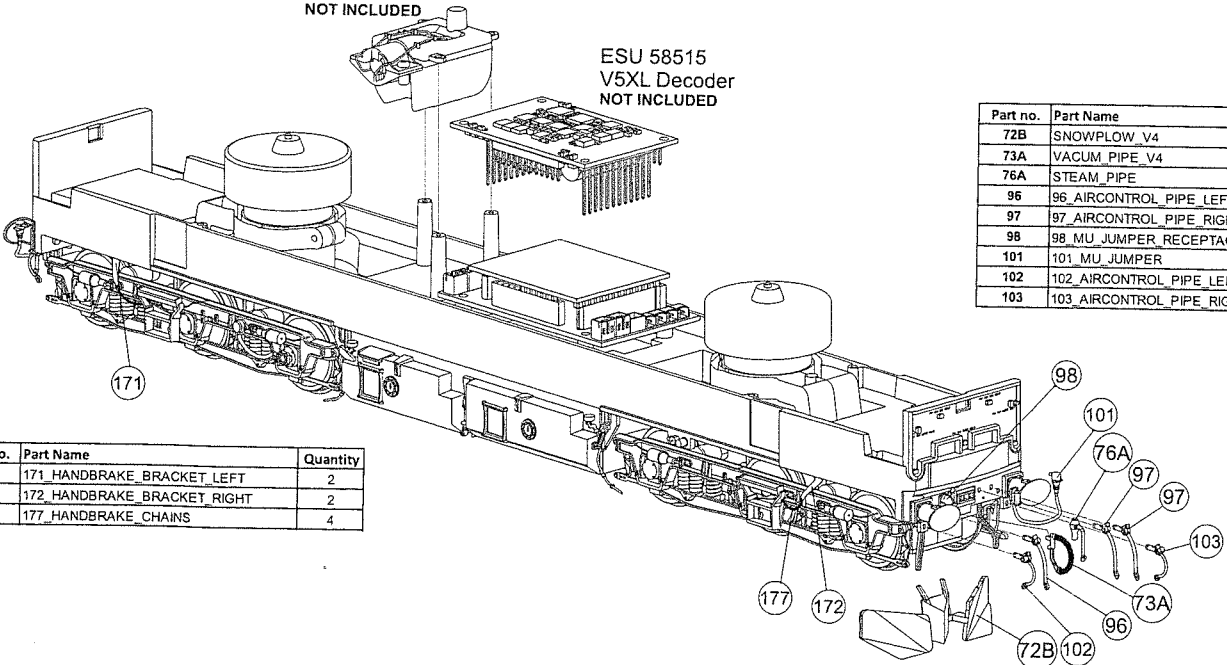


This model is designed for
'Plug and Play' DCC conversion
using an ESU #58515 LokSound V5 XL decoder.

Compatible with ESU
54676 Smoke Unit
NOT INCLUDED

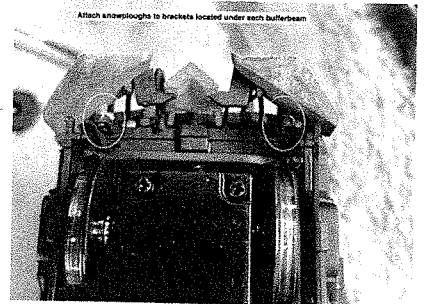
ESU 58515
V5XL Decoder
NOT INCLUDED

Part no.	Part Name	Quan
7	7_CLEARPART_CABIN_FRONT	2
8	8_SIDE_CLEARPART_CABIN_R	2
9	9_SIDE_CLEARPART_CABIN_L	2
11	11_CLEARPART_ENGINE_ROOM	4
14	HANDRAIL_SMALL_FRONT	4
15	HANDRAIL_SMALL_SIDE	4
19	19_ROOF_GRILL	1
22C	HIGH_HEADLIGHT_V4	2
33A	HEADCODE_FRAME_L	2
36A	HEADCODE_FRAME_R	2
37A	HEADCODE_LENS	4
79A	CAB_DOOR_WINDOW_V4_V5_R	2
38A	CAB_DOOR_WINDOW_V4_V5_L	4
41	41_WIND_SCREEN_WIPER_R	2
42	42_WIND_SCREEN_WIPER_L	2
43	43_LAMP_IRON	4
44	44_HANDRAIL	8
46A	ROOF_EXHAUST_CLOSED	1
59B	ROOF_EXHAUST_OPEN	1
60A	SAFETY_VALVE_PLATED	1
61A	SAFETY_VALVE	1
83B	FRONT_ROUND_GRILL	2
84B	FRONT_ROUND_GRILL_R	2
114	114_METAL_MESH_RADIATOR_SHUTTER	2
142	142_THE_CENTRE_OF_THE_FAN_GRILL	1
170	170_RADIO_AERIAL	2
A	TOP_HEADCODE_HANDRAIL_V1	4



Part no.	Part Name	Quantit
72B	SNOWPLOW_V4	2
73A	VACUM_PIPE_V4	2
76A	STEAM_PIPE	2
96	96_AIRCONTROL_PIPE_LEFT	2
97	97_AIRCONTROL_PIPE_RIGHT	4
98	98_MU_JUMPER_RECEPTACLE	2
101	101_MU_JUMPER	2
102	102_AIRCONTROL_PIPE_LEFT	2
103	103_AIRCONTROL_PIPE_RIGHT	4

Part no.	Part Name	Quantity
171	171_HANDBRAKE_BRACKET_LEFT	2
172	172_HANDBRAKE_BRACKET_RIGHT	2
177	177_HANDBRAKE_CHAINS	4

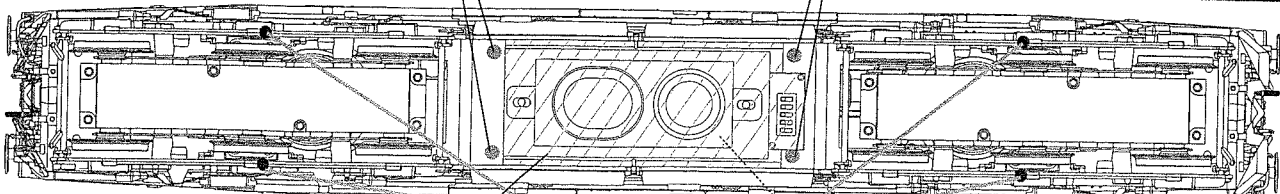


Attach knowploughs to brackets located under each bufferbeam

Remove 4 screws of Bottom Fuel Tank.
to access the speaker area and switchboard

SWITCH FUNCTIONS:

- Switch 1 - tail lights on/off No1 end
- Switch 2 - tail lights on/off No2 end
- Switch 3 - cab lights on/off
- Switch 4 - engine room lights on/off
- Switch 5 - HI headlights on/off (where fitted)



Remove 4 screws
to remove body Speaker NOT INCLUDED