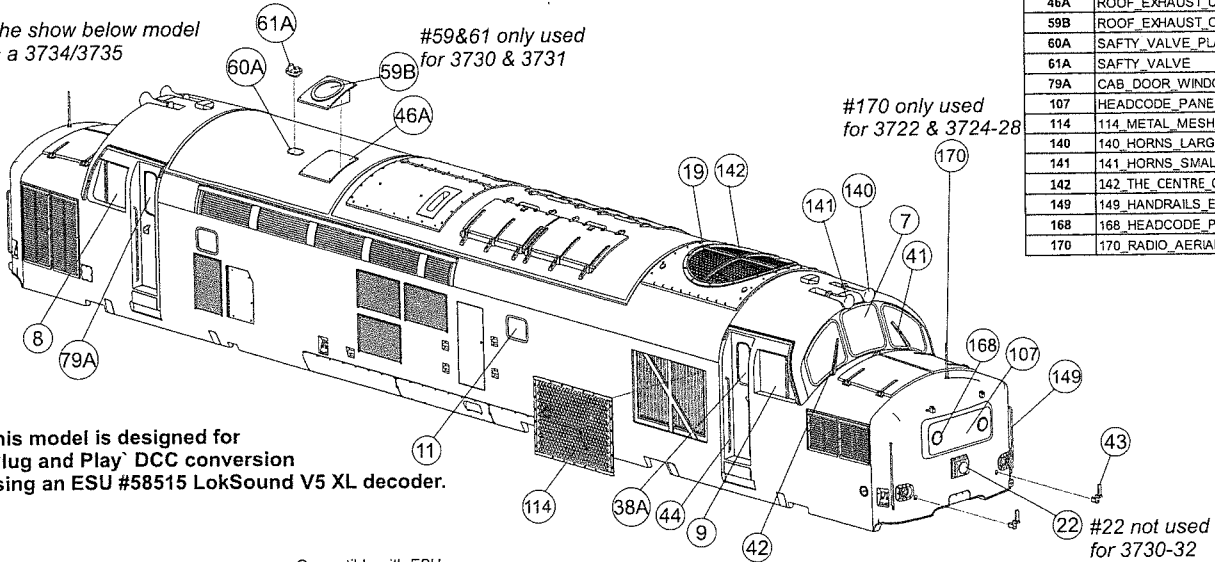


# Class 37/V5 O gauge PARTS DIAGRAM

Part no.	Part Name	Quantity
7	7_CLEARPART CABIN_FRONT	2
8	8_SIDE_CLEARPART CABIN_R	2
9	9_SIDE_CLEARPART CABIN_L	2
11	11_CLEARPART_ENGINE_ROOM	4
19	19_ROOF GRILL	1
22C	HIGH_HEADLIGHT_V4	2
38A	CAB_DOOR_WINDOW_V4_V5	4
41	41_WIND_SCREEN WIPER_R	2
42	42_WIND_SCREEN WIPER_L	2
43	43_LAMP IRON	4
44	44_HAND RAIL	8
46A	ROOF_EXHAUST_CLOSED	1
59B	ROOF_EXHAUST_OPEN	1
60A	SAFTY_VALVE_PLATED	1
61A	SAFTY_VALVE	1
79A	CAB_DOOR_WINDOW_V4_V5_R	2
107	HEADCODE_PANEL_BOX_V5	2
114	114_METAL_MESH_RADIATOR_SHUTTER	2
140	140_HORNS_LARGE	2
141	141_HORNS_SMALL	2
142	142_THE CENTRE OF THE_FAN_GRILL	1
149	149_HANDRAILS_ENDS	4
168	168_HEADCODE_PANEL_MARKER_LIGHT	4
170	170_RADIO_AERIAL	2

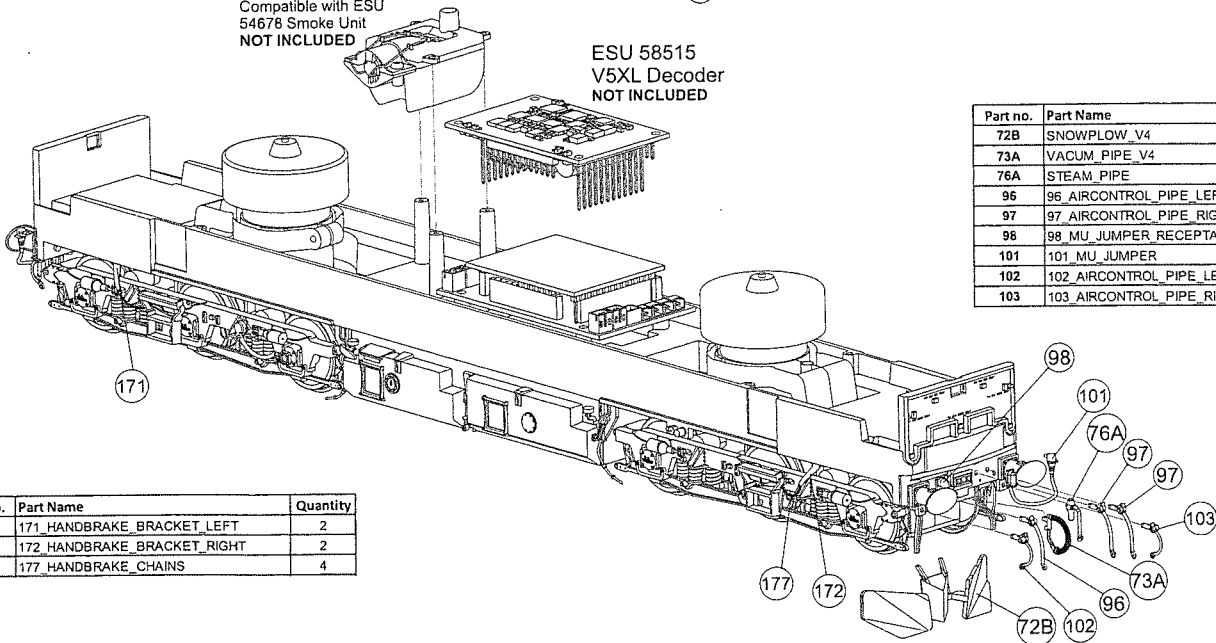
The show below model is a 3734/3735



This model is designed for 'Plug and Play' DCC conversion using an ESU #58515 LokSound V5 XL decoder.

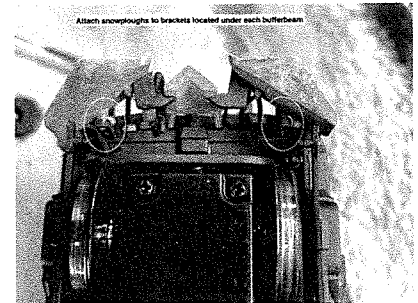
Compatible with ESU 54678 Smoke Unit NOT INCLUDED

ESU 58515 V5XL Decoder NOT INCLUDED



Part no.	Part Name	Quantity
72B	SNOWPLOW_V4	2
73A	VACUM_PIPE_V4	2
76A	STEAM_PIPE	2
96	96_AIRCONTROL_PIPE_LEFT	2
97	97_AIRCONTROL_PIPE_RIGHT	4
98	98_MU_JUMPER RECEPTACLE	2
101	101_MU_JUMPER	2
102	102_AIRCONTROL_PIPE_LEFT	4
103	103_AIRCONTROL_PIPE_RIGHT	4

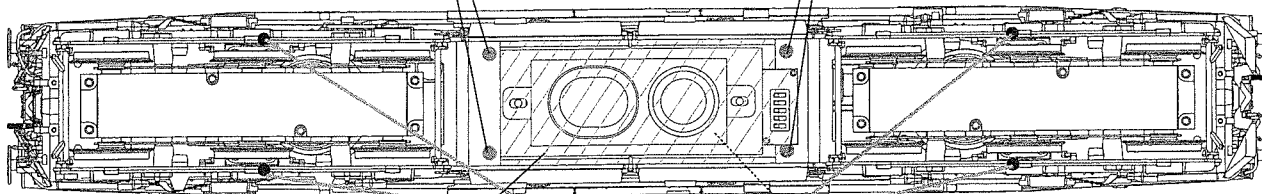
Part no.	Part Name	Quantity
171	171_HANDBRAKE_BRACKET_LEFT	2
172	172_HANDBRAKE_BRACKET_RIGHT	2
177	177_HANDBRAKE_CHAINS	4



Remove 4 screws of Bottom Fuel Tank. to access the speaker area and switchboard

**SWITCH FUNCTIONS:**

- Switch 1 - tail lights on/off No1 end
- Switch 2 - tail lights on/off No2 end
- Switch 3 - cab lights on/off
- Switch 4 - engine room lights on/off
- Switch 5 - Hi headlights on/off (where fitted)



Remove 4 screws to remove body

Speaker NOT INCLUDED but locating pins are provided inside the Body

Cut View through Fuel Tank Bottom